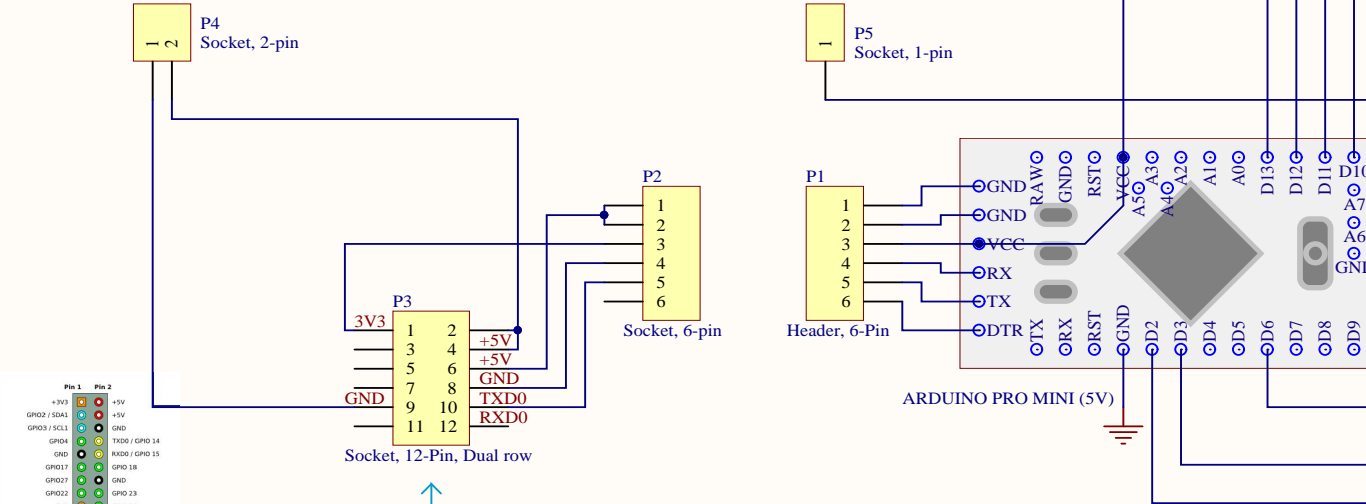
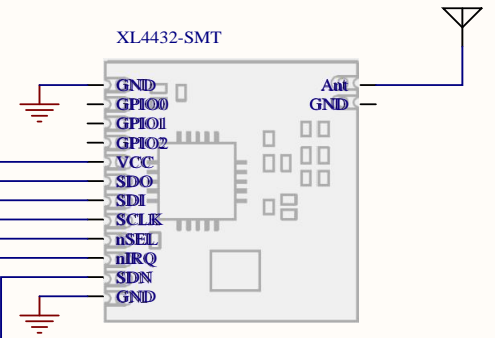


IR Lamp



to  
Raspberry Pi  
40-pin Header

Pin 1	Pin 2	Pin 3	Pin 4	Pin 5	Pin 6	Pin 7	Pin 8	Pin 9	Pin 10	Pin 11	Pin 12
+5V	+5V	+5V	+5V	GND	GND	TXD0 / GPIO 14	RXD0 / GPIO 15	GND	GPIO 18	GND	GPIO 23
GPIO2 / SDA1	GPIO3 / SCL1	GPIO4	GPIO7	GPIO22	+3V3	GPIO24	GND	GPIO10 / MOSI	GPIO25	GPIO11 / SCK4	CE0# / GPIO8
GPIO19 / I2C0	GPIO5	GPIO6	GPIO13	GPIO19 / I2C0	GPIO26	SCLK / GPIO21	Pin 39	Pin 40			

Title		
Owl Controller for Raspberry Pi		
Size	Number	Revision
A4		0.1
Date:	18.04.2016	Sheet 1 of 1
File:	D:\Tools\Owl_controller.SchDoc	Drawn By: boredman@BoredomProjects.net